

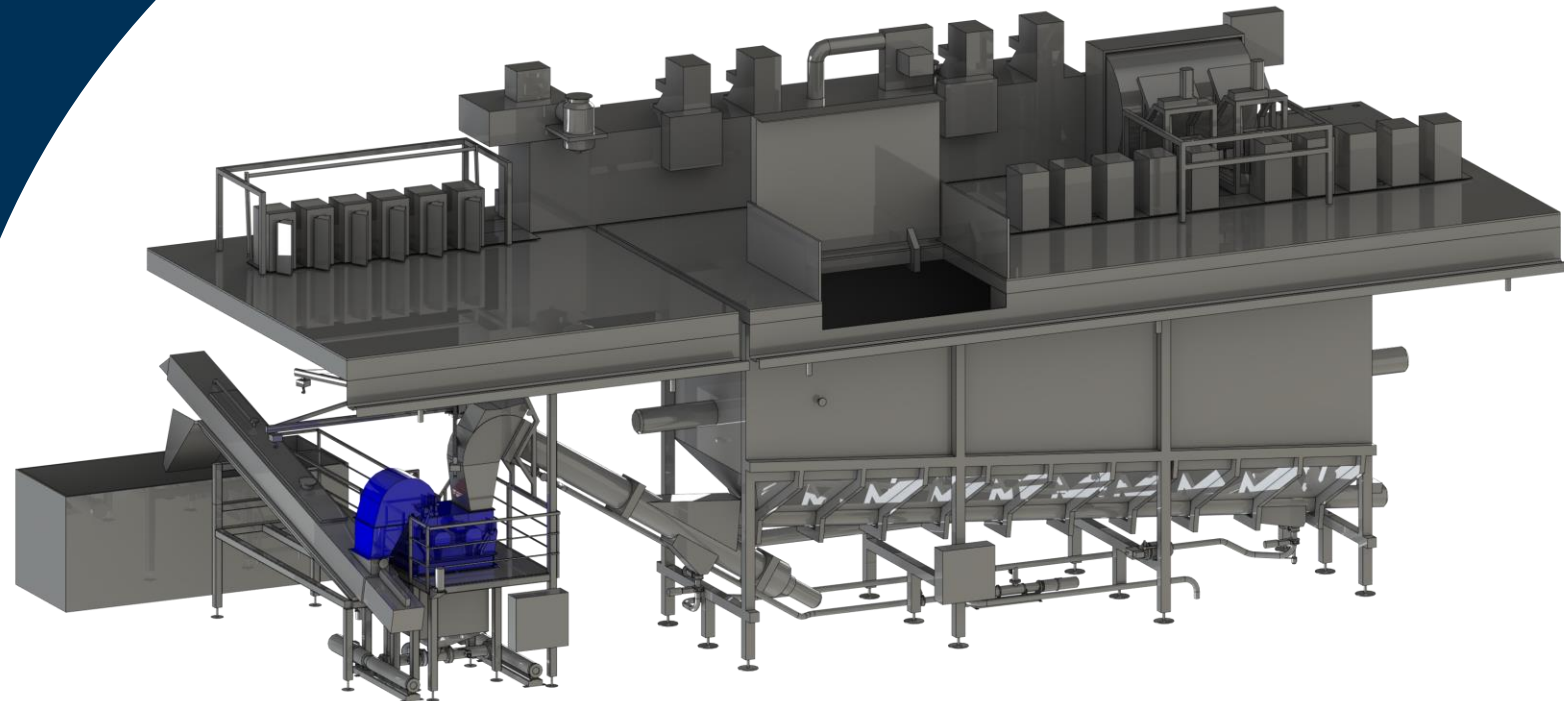
# CONVERTING BIOWASTE

# INTO ENERGY



MITTELSTAND  
**GLOBAL**

MARKTERSCHLIESSUNGS-  
PROGRAMM FÜR KMU





Design and Manufacturing of Grinding  
and Separation Systems since 1959



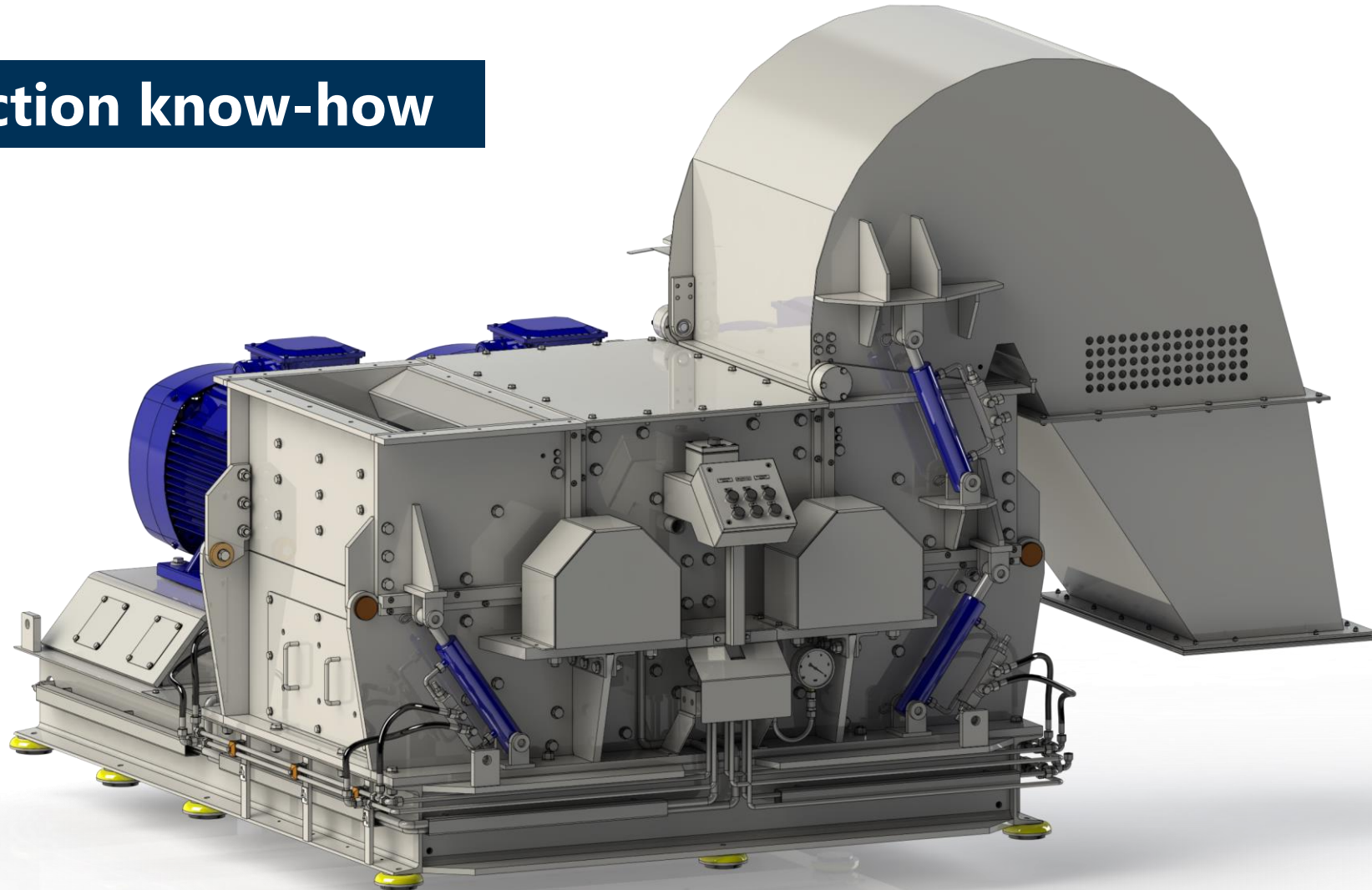
*The Grinding People*





- 35-40% of all Commercial and Industrial Biowaste in GER is processed with Tietjen technology since 2008
- **Integrator and Solution Provider** on the Treatment Level **before the Digester**
- **Wood and Straw disintegration** for more than 20 years
- Investor Relation with Germany's leading Manufacturer of **Dosing Systems for Biogas Plants** – Konrad Pumpe GmbH

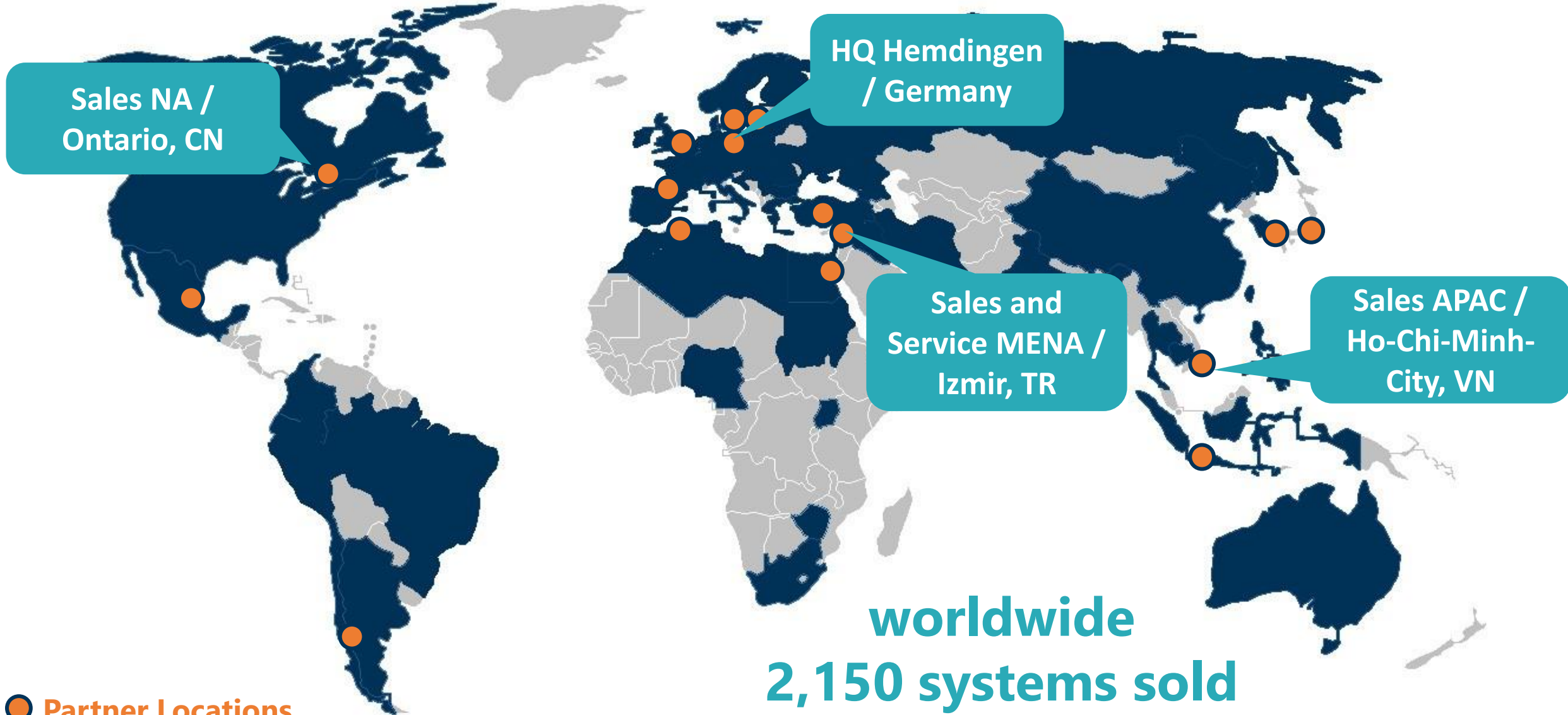
**production know-how**





**individual consulting & planning**









## Straw, Fibres, Manure

Mechanical and biological Treatment of Biomass for Biogas Production

**Alternative Feedstocks and Increase of Biogas Output**

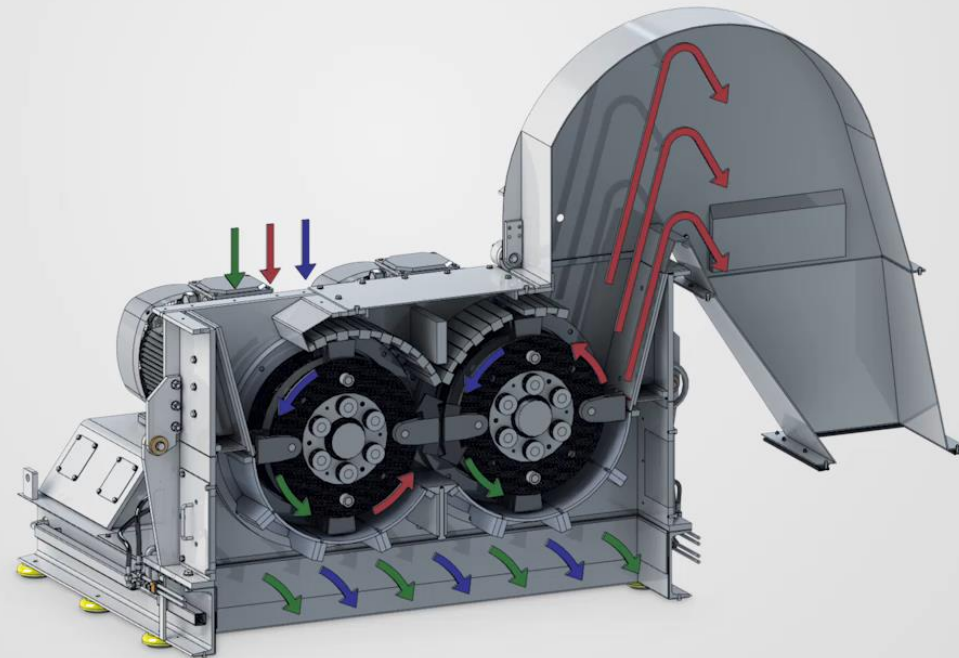
## Commercial and Industrial Food Waste

Separation of Biomass and Packaging

**High Throughput (up to 25 t/hr) and Dry Matter (up to 30%) and Efficient Separation**



# Tietj



## Thomas Runde

CEO

mail

t.runde@tietjen-original.com

phone

+49 172 4417117

+49 4106 6333-80

internet

<https://www.tietjen-original.com>

<https://www.ibabiogas.com>



**Tietjen Verfahrenstechnik GmbH**

Vor der Horst 6

D-25485 Hemdingen

Germany